



# Accessories



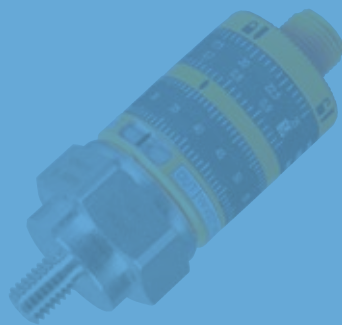
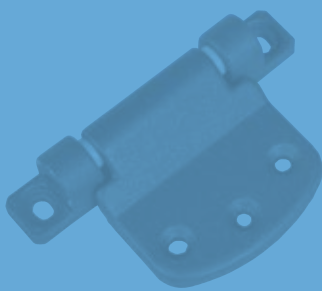


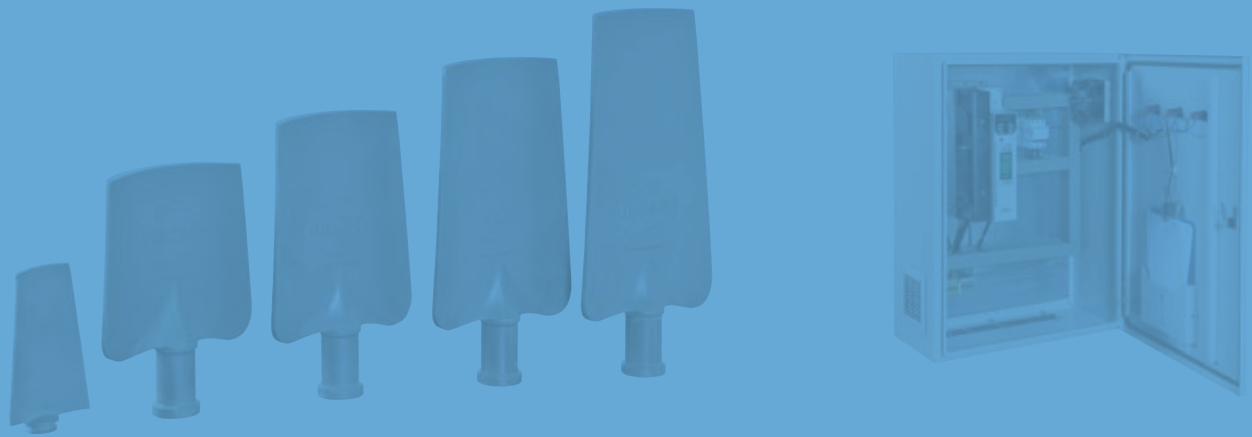
**AIRONN**<sup>®</sup>

“FAN ENGINEERING”



## Accessories





## Contents

Silencer 50 mm	2	Frequency Inverter	11
Silencer 100 mm	4	Speed Control Switch	11
Silencer with pod 50 mm	6	Damper	12
Silencer with pod 100 mm	7	Maintenance Switch	12
Counter Flange	8	Roof Curb	12
Wire Case	8	Differential Pressure Sensor	13
Inlet Cone	9	MCC Panel	13
Reduction	9	Seismic Insulator	13
Spring Insulator	10	Other Accessories	14
Flexible Coupling	10		



## Silencers

Sound and noise is one of the most important problems in ventilation systems. One of the ways to reduce the sound level down to international standards is using silencers which will provide the requested conditions in the system.

For this purpose Aironn has developed 4 different silencers as SSTC-50, SSTC-100, SSTC-50 P and SSTC-100-P. Silencers are available with or without pod options

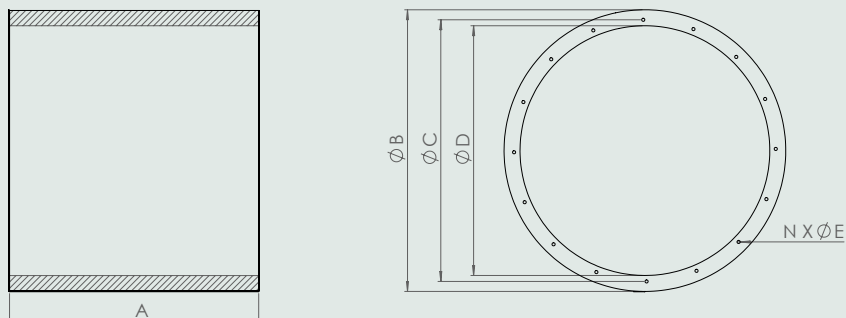
and they are easily mounted both in front and back of axial type fans.

Silencers are made of galvanized steel and 70 kg/m<sup>3</sup> density stone wool is used as acoustic material. On demand, they can also be made of stainless steel. Flanges of silencers have flange holes suitable for assembly.

### Silencer



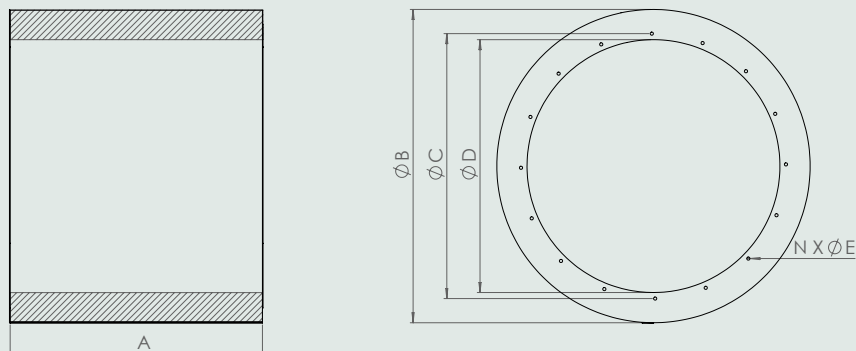
# Silencer 50 mm



	A	B	C	D	N X ØE
SSTC-50-400	400	500	430	400	8 x 10
SSTC-50-450	450	550	484	450	8 x 10
SSTC-50-500	500	600	537	500	8 x 10
SSTC-50-560	560	660	597	560	8 x 10
SSTC-50-630	630	730	667	630	8 x 10
SSTC-50-710	710	810	747	710	8 x 10
SSTC-50-800	800	900	844	800	16 x 10
SSTC-50-900	900	1000	944	900	16 x 10
SSTC-50-1000	1000	1100	1044	1000	16 x 10
SSTC-50-1250	1250	1350	1294	1250	16 x 10

	63	125	250	500	1k	2k	4k	8k
SSTC-50-400	0	0	4	10	13	8	8	5
SSTC-50-450	0	1	4	12	12	9	6	6
SSTC-50-500	0	0	4	13	11	9	6	5
SSTC-50-560	0	0	4	14	11	8	5	4
SSTC-50-630	0	1	5	14	10	9	5	5
SSTC-50-710	0	1	5	12	9	7	5	5
SSTC-50-800	0	3	7	9	8	6	5	4
SSTC-50-900	0	3	7	13	8	6	5	4
SSTC-50-1000	0	3	8	12	8	4	4	4
SSTC-50-1250	0	3	9	13	7	4	4	3

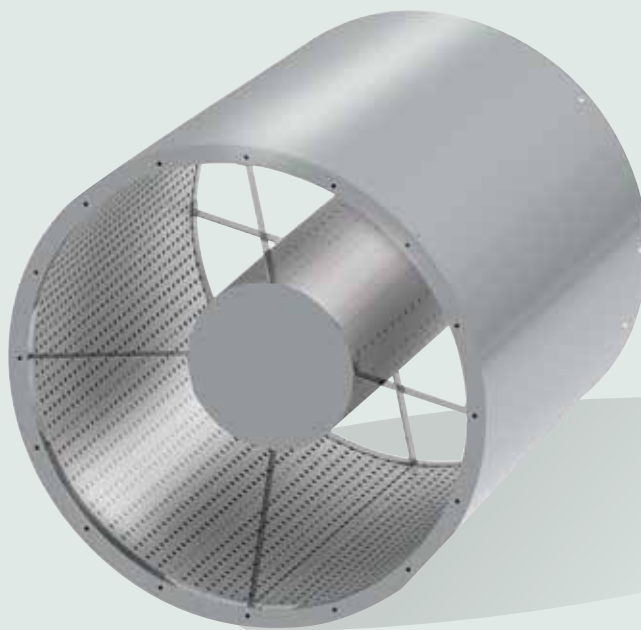
# Silencer 100 mm



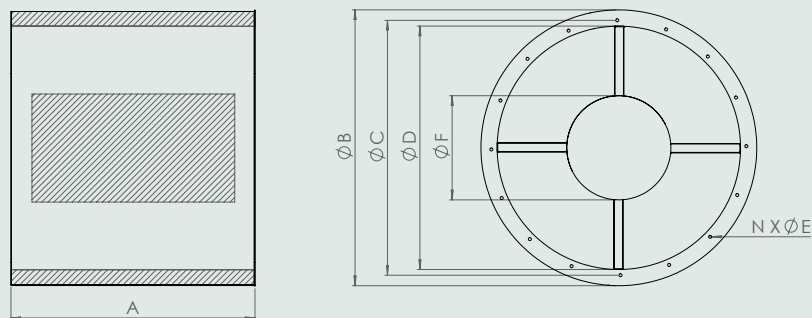
	A	B	C	D	N X Ø E
SSTC-100-400	400	600	430	400	8 x 10
SSTC-100-450	450	650	484	450	8 x 10
SSTC-100-500	500	700	537	500	8 x 10
SSTC-100-560	560	760	597	560	8 x 10
SSTC-100-630	630	830	667	630	8 x 10
SSTC-100-710	710	910	747	710	8 x 10
SSTC-100-800	800	1000	844	800	16 x 10
SSTC-100-900	900	1100	944	900	16 x 10
SSTC-100-1000	1000	1200	1044	1000	16 x 10
SSTC-100-1250	1250	1450	1294	1250	16 x 10

	63	125	250	500	1k	2k	4k	8k
SSTC-100-400	0	1	5	14	19	12	10	8
SSTC-100-450	0	1	6	17	17	13	9	8
SSTC-100-500	0	1	6	18	17	12	9	7
SSTC-100-560	0	2	7	20	15	11	8	5
SSTC-100-630	0	2	7	20	14	12	8	6
SSTC-100-710	0	2	7	18	11	9	6	7
SSTC-100-800	0	5	10	13	12	9	7	7
SSTC-100-900	0	5	11	16	11	7	7	5
SSTC-100-1000	0	5	12	17	10	6	6	5
SSTC-100-1250	0	6	12	17	8	5	5	4

## Silencer with pod



## Silencer with pod 50 mm

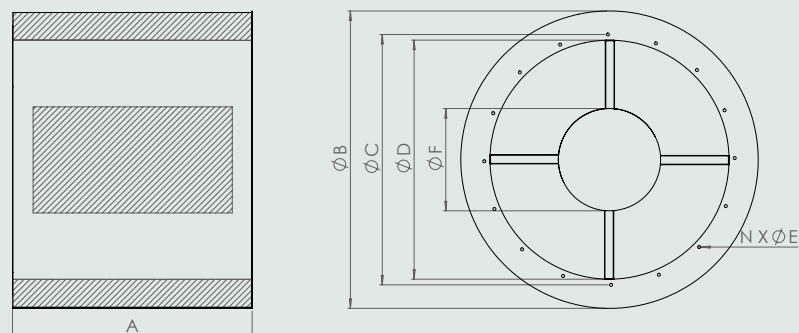


	A	B	C	D	I	N X ØE
SSTC-50 P-400	400	500	430	400	150	8 x 10
SSTC-50 P-450	450	550	484	450	170	8 x 10
SSTC-50 P-500	500	600	537	500	190	8 x 10
SSTC-50 P-560	560	660	597	560	210	8 x 10
SSTC-50 P-630	630	730	667	630	240	8 x 10
SSTC-50 P-710	710	810	747	710	270	8 x 10
SSTC-50 P-800	800	900	844	800	300	16 x 10
SSTC-50 P-900	900	1000	944	900	340	16 x 10
SSTC-50 P-1000	1000	1100	1044	1000	380	16 x 10
SSTC-50 P-1250	1250	1350	1294	1250	475	16 x 10

	63	125	250	500	1k	2k	4k	8k
SSTC-50 P-400	0	1	4	11	20	18	14	11
SSTC-50 P-450	0	1	6	14	21	19	13	9
SSTC-50 P-500	0	2	5	13	20	16	11	8
SSTC-50 P-560	0	1	6	15	21	17	11	8
SSTC-50 P-630	0	1	6	15	19	16	10	8
SSTC-50 P-710	0	2	7	15	20	18	12	10
SSTC-50 P-800	0	3	9	12	17	15	9	8
SSTC-50 P-900	0	4	8	15	16	11	8	7
SSTC-50 P-1000	0	8	14	20	24	21	14	10
SSTC-50 P-1250	0	7	12	18	19	10	6	6



## Silencer with pod 100 mm

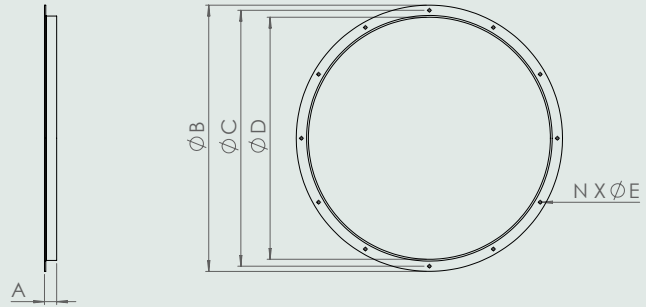


	A	B	C	D	I	N X Ø E
SSTC-100 P-400	400	600	430	400	150	8 x 10
SSTC-100 P-450	450	650	484	450	170	8 x 10
SSTC-100 P-500	500	700	537	500	190	8 x 10
SSTC-100 P-560	560	760	597	560	210	8 x 10
SSTC-100 P-630	630	830	667	630	240	8 x 10
SSTC-100 P-710	710	910	747	710	270	8 x 10
SSTC-100 P-800	800	1000	844	800	300	16 x 10
SSTC-100 P-900	900	1100	944	900	340	16 x 10
SSTC-100 P-1000	1000	1200	1044	1000	380	16 x 10
SSTC-100 P-1250	1250	1450	1294	1250	475	16 x 10

	63	125	250	500	1k	2k	4k	8k
SSTC-100 P-400	0	2	6	15	31	27	19	14
SSTC-100 P-450	0	2	7	19	31	28	18	12
SSTC-100 P-500	0	3	7	19	29	24	14	10
SSTC-100 P-560	0	3	9	22	32	27	15	11
SSTC-100 P-630	0	2	9	22	29	23	14	10
SSTC-100 P-710	0	3	11	22	31	25	13	11
SSTC-100 P-800	0	6	13	18	26	22	12	11
SSTC-100 P-900	0	5	12	20	24	16	10	9
SSTC-100 P-1000	0	10	22	30	37	29	16	12
SSTC-100 P-1250	0	10	18	26	29	14	9	7

## Counter Flange

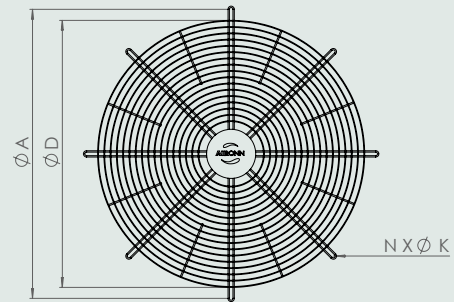
Counter flanges designed for the duct assembly of axial type fans are available in different diameters from 400 mm to 1250 mm. Made of steel, counter flanges are hot dip galvanized coated for longevity.



	A	B	C	D	N X Ø E
KF-400	40	480	430	400	8 x 11
KF-450	40	530	484	450	8 x 11
KF-500	40	580	537	500	8 x 11
KF-560	40	640	597	560	8 x 11
KF-630	40	710	667	630	8 x 11
KF-710	40	790	747	710	8 x 11
KF-800	40	880	844	800	16 x 11
KF-900	40	980	944	900	16 x 13
KF-1000	40	1080	1044	1000	16 x 13
KF-1250	40	1330	1294	1250	16 x 13

## Wire Case

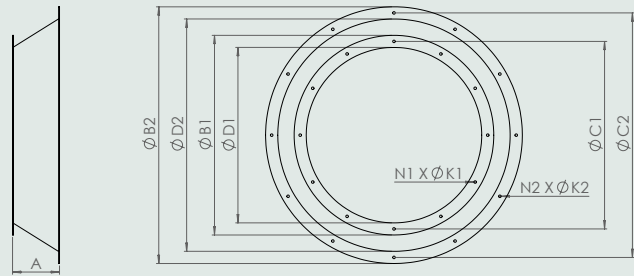
Protective wire cases designed for AIR-AU Axial type fan series can be produced in diameters from 400 mm to 1600 mm. It is used to block substances which would prevent operation of the fan or reduce its performance from entering into axial type fans.



	A	D	N X Ø K
TLKFS-400	390	460	8 x 10
TLKFS-450	440	510	8 x 10
TLKFS-500	490	560	8 x 10
TLKFS-560	550	620	8 x 10
TLKFS-630	620	590	8 x 10
TLKFS-710	700	770	8 x 10
TLKFS-800	790	880	16 x 10
TLKFS-900	890	980	16 x 10
TLKFS-1000	990	1080	16 x 10
TLKFS-1250	1240	1330	16 x 10
TLKFS-1400	1390	1480	16 x 10
TLKFS-1600	1590	1680	16 x 10

## Inlet Cone

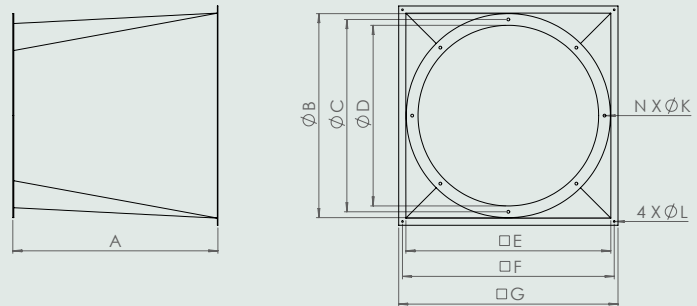
Inlet Cones designed in compliance with AMCA standards are available in diameters from 400 mm to 1250 mm. As can be understood from its name, they are used at air suction end of Axial type fans. It increases the productivity of fan by ensuring steady flow of air into the fan and thus preventing turbulence formation near the fan sleeve. Inlet Cones are made of galvanized steel and include connection flanges.



	A	B1	B2	C1	C2	D1	D2	N1 X ØK1	N2 X ØK2
MK-400	380	460	510	430	484	400	450	8 x 11	8 x 11
MK-450	380	510	560	484	537	450	500	8 x 11	8 x 11
MK-500	460	560	620	537	597	500	560	8 x 11	8 x 11
MK-560	530	620	590	597	667	560	630	8 x 11	8 x 11
MK-630	610	590	770	667	747	630	710	8 x 11	8 x 11
MK-710	685	770	880	747	844	710	800	8 x 11	16 x 11
MK-800	760	880	980	844	944	800	900	16 x 11	16 x 13
MK-900	760	980	1080	944	1044	900	1000	16 x 13	16 x 13
MK-1000	920	1080	1330	1044	1164	1000	1120	16 x 13	16 x 13
MK-1250	1140	1330	1480	1294	1444	1250	1400	16 x 13	16 x 13

## Reduction

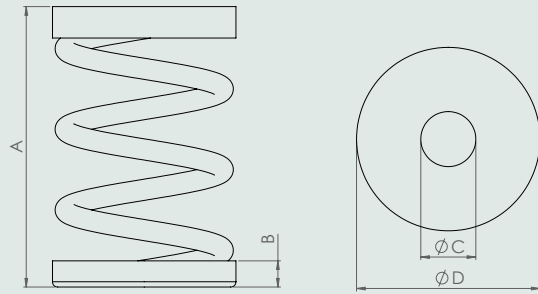
Reductions used to convert from round to square geometry are available in diameters ranging from 400 mm to 1250 mm. These products are made of galvanized steel and have flanges at both sides.



	A	B	C	D	E	F	G	L	N X ØE
400	400	460	430	400	450	475	500	10	8 x 11
450	450	510	484	450	500	525	550	10	8 x 11
500	500	560	537	500	560	585	610	10	8 x 11
560	560	620	597	560	630	655	680	10	8 x 11
630	630	590	667	630	710	735	760	10	8 x 11
710	710	770	747	710	800	825	850	10	8 x 11
800	800	880	844	800	900	930	960	10	16 x 11
900	900	980	944	900	1000	1030	1060	12	16 x 13
1000	1000	1080	1044	1000	1120	1150	1180	12	16 x 13
1250	1250	1330	1294	1250	1400	1430	1460	12	16 x 13

## Spring Insulator

Spring insulators are made of durable steel string for heavy operating conditions and include casting noise suppressors, non-skid rubber lower base and rubber insulated assembly hole. They are used to reduce the transmission of sound and vibration originating from fan to the ground where the fan is fastened. They are available in 8 types for different fan weights.



Type	Fan weight (kg)	
	Min.	Max.
YI-01	12	26
YI-02	19	38
YI-03	30	67
YI-04	47	120
YI-05	72	170
YI-06	113	270
YI-07	182	380
YI-08	280	520

	A	B	C	D
YI-...	100	12	10	60



## Flexible Coupling

It is the intermediary coupling element which prevents the vibration transfer when the fan in the ventilation system is mounted on a rigid area such as a duct or wall and absorbs the reciprocating motions caused by oscillation. While non-combustible ones are used in smoke exhaust fans, this feature is not necessary in fresh air fans.



## Speed Adjusters

### Frequency Inverter

It ensures the fans operate reversibly in requested speed by changing the network frequency. Many protections such as protection against over-current, high voltage and grid voltage, loss of phase, loss of earthing are standard in inverters and it does not necessitate to use equipment for these positions. In addition when it is considered that it is necessary to apply Star/Triangle work to feed all motors above 5.5 kW, it provides an advantage in terms of cable section. Integrated communication cards on the inverters facilitates BMS integration and the data can be received over communication protocols without the need for external equipment.

Fire Mode (By-Pass) inverter in Fire Engines (?) and all protections of the fan are deactivated during operation. (?)



## Speed Adjusters

### Speed Control Switch

These are the equipment which enable stepping or stepless manual speed control of the fans.

Stepless speed control switch is used for single-phase fan motors and provides maximum 5 A electric charge.

Stepping speed control switches are used for single-phase and three-phase motors. Voltage regulation is made by the transformer on speed control switch and speed is controlled. They provide maximum 10 A electric charge in single-phase fan motors and 18 A electric charge in three-phase fan motors.

## Damper

Aironn produces motor driven smoke dampers for smoke extraction systems. Smoke dampers are controlled by the motors on them and prevent spreading of high temperature smoke to undesirable parts. Dampers, motors of which are placed in a special protection box are easily accessed for maintenance and control from the aisle. On and off status of damper can be easily observed on the engine through BMS. (???) Body and blades of multi-blade dampers are made of high quality galvanized steel. Motor-driven smoke dampers are produced in any dimensions below 2000 x 2000 mm. Protection Grill is optional in our dampers.



Damper Motor

## Maintenance Switch

Equipment used for closing the power supply of fans without having any thermal magnetic protection. Maintenance switch should be lockable and observable when it is positioned at a distance from the device.

## Roof Curb

The elements used as roof support elements for roof type fans are called roof curb. They can be produced in different types for flat and inclined roofs.

## Differential Pressure Sensor

They measure the ambient pressure in implementations (Stair Pressurization, EC fan implementations) where the fans are requested to operate after the pressure is controlled. It creates 0-10 V or 4-20 mA pressure by measuring the pressure and connects the fan the controlling PLC or frequency inverter. PLC and Frequency inverter provides the fan to operate proportional to pressure via incoming signal ratio. (???)



## MMC Panel

This panel contains the frequency inverter which will provide the electric power for fan.

Upon fire signal, it realizes proportional operation of the fan with frequency inverter through Differential Pressure Sensor and keeps the stair well constantly under 50 Pa pressure.

In addition there is a pacco switch on the panel which manually makes the fan operate in full capacity. Information such as malfunction or operation can be provided on the panel as dry contact.



## Seismic Insulator

Seismic insulators are designed to be used in high earthquake risk regions against seismic loads arriving to fan from all directions and they are composed of adjustable spring or springs in a welded steel housing.

## Blade Types



## Handle



## Door Hinge





**Brass Blind Bung**



**Brass Coupling**



**Porcelain Terminal**



**Porcelain Coupling**



**Vibration Sensor**



**Aluminum Junction Box**



**Stainless Junction Box**



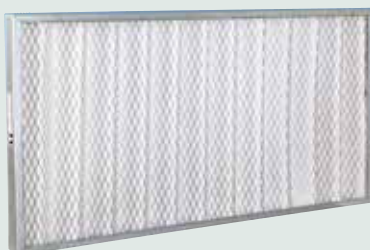
**Plastic Junction Boxes**



**Bathroom Extractor Fan**



**G2 Filter**



**G4 Filter**



**Plastic and Aluminum Corners**



**Aluminum Shape**



**Cartridge Carbon Filter**



**Panel Carbon Filter**



**Cable Cover**



**Panel Board**



### Brackets for Tunnel Fans



### Safety Chains for Tunnel Fans











“FAN ENGINEERING”

AIRONN HAVALANDIRMA VE KLİMA SİSTEMLERİ SAN. DIŐ TİC. LTD. ŐTİ.

Tatlısu Mah. Őenol GneŐ Bulvarı Mira Tower K: 3 D: 16 Őerifali, AtaŐehir - İstanbul / Turkey

Phone: +90 216 594 56 96 Fax: +90 216 594 57 17 E-mail: info@aironn.com.tr

[www.aironn.com.tr](http://www.aironn.com.tr)