

# Jet Fans



“FAN ENGINEERING”



**AIRONN**<sup>®</sup>



“FAN ENGINEERING”

**Jet Fans**



## Contents

Axial Type Unidirectional Jet Fan	2
Axial Type Bidirectional Jet Fan	4
Radial Type Jet Fan	6

# Axial Type Unidirectional Jet Fan

Fans in the Aironn Axial Type unidirectional Jet Fan Series have 300 °C-2 hours and 400 °C-2 hours certificates in compliance with EN 12101-3. Due to its series airfoil fan blades in the range of diameters 290 mm and 400 mm, it had a high performance. Performance of the fans in Axial Type unilateral Jet Fan Series have been tested in accordance with AMCA 250-12 standard.

## Fan Body

Fan bodies are made of high quality galvanized steel. Protection Grill on the bodies of jet fans which is directive in the direction of air throw and protective in air suction direction is standard.

## Fan Blades

Aerodynamic fan blades are made of ETIAL 171 with injection moulding method. They are statically and dynamically balanced in compliance with ISO 1940/1-2003.

## Motor

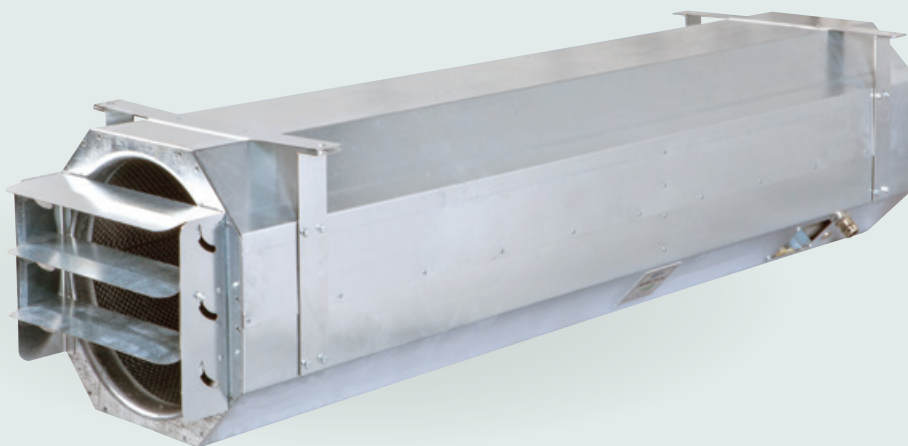
IP 55 motors with class H insulation are available in single cycle or double cycle options. If requested, single cycle motors can be used with inverters. Due to its sliding motor skid, it provides ease of maintenance.

## Electricity

IP 55 electricity terminal box placed inside the galvanized steel body is standard.

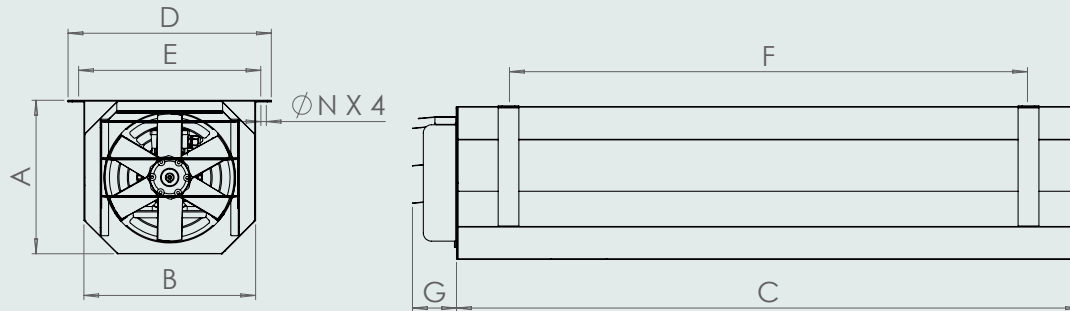
## Accessories

Maintenance Switch



# Axial Type Unidirectional Jet Fan

## Dimensions



	A	B	C	D	E	G	ØN
AIR-JU-290	310	378	1508	460	423	105	13
AIR-JU-315	369	409	1500	489	451	105	13
AIR-JU-355	409	429	1650	509	472	105	13
AIR-JU-400	454	474	1880	554	516	105	13

Type	Thrust (N)	Motor Power (kW)	Current (A)	Motor Speed (rpm)	Noise @ 3m (dBA)	Weight (kg)
AIR-JU-290	32	0.75	1.57	2.820 / 1.400	60 / 45	45
AIR-JU-315	32	0.75	1.57	2.820 / 1.400	60 / 45	50
AIR-JU-355	58	1.5	3.01	2.900 / 1.435	68 / 52	61
AIR-JU-400	82	2.2	4.48	2.845 / 1.420	72 / 55	80

Type	Thrust (N)	Motor Power (kW)	Current (A)	Motor Speed (rpm)	Noise @ 3m (dBA)	Weight (kg)
AIR-JU-290	32 / 8	0.8 / 0.2	1.91 / 0.6	2.820 / 1.400	60 / 45	45
AIR-JU-315	32 / 8	0.8 / 0.2	1.91 / 0.6	2.820 / 1.400	60 / 45	50
AIR-JU-355	58 / 14	1.5 / 0.37	3.54 / 1.25	2.900 / 1.435	68 / 52	61
AIR-JU-400	82 / 20	2.2 / 0.8	4.63 / 1.54	2.845 / 1.420	72 / 55	80

# Axial Type Bidirectional Jet Fan

Fans in the Aironn Axial Type Bidirectional Jet Fan Series have 300 ° C-2 hours and 400 ° C-2 hours certificates in compliance with EN 12101-3. Series and reversible fan blades in the range of diameters of 290 mm and 400 mm enables them to have the same performance in both blowing directions. Performance of the fans in Axial Type Bidirectional Jet Fan Series have been tested in accordance with AMCA 250-12 standard.

## Fan Body

Fan bodies are made of high quality galvanized steel. Baffles on the body of jet fans which can be adjusted in both air throw directions are standard.

## Fan Blades

Aerodynamic fan blades are made of ETIAL 171 with injection moulding method. They are statically and dynamically balanced in compliance with ISO 1940/1-2003.

## Motor

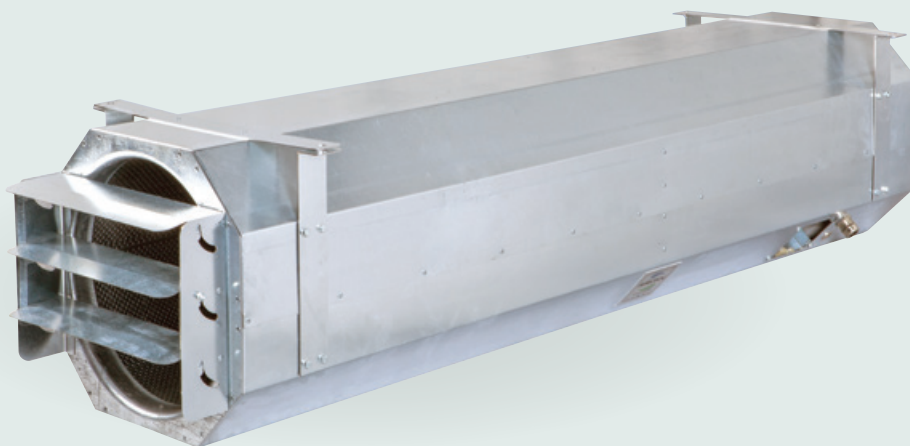
IP 55 motors with class H insulation are available in single cycle or double cycle options. If requested, single cycle motors can be used with inverters. Due to its sliding motor skid, it provides ease of maintenance.

## Electricity

IP 55 electricity terminal box placed inside the galvanized steel body is standard.

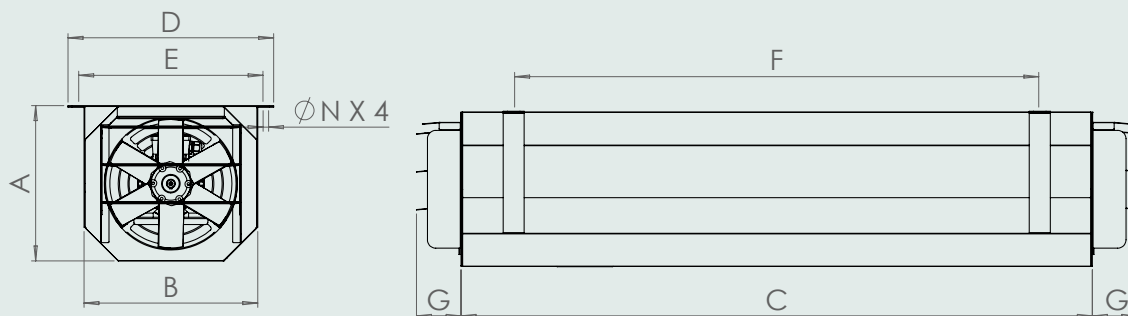
## Accessories

Maintenance Switch



# Axial Type Bidirectional Jet Fan

## Dimensions



	A	B	C	D	E	G	ØN
AIR-JU-290	310	378	1508	460	423	105	13
AIR-JU-315	369	409	1500	489	451	105	13
AIR-JU-355	409	429	1650	509	472	105	13
AIR-JU-400	454	474	1880	554	516	105	13

Type	Thrust (N)	Motor Power (kW)	Current (A)	Motor Speed (rpm)	Noise @ 3m (dBA)	Weight (kg)
AIR-JU-290	30	0.75	1.57	2.820 / 1.400	60 / 45	45
AIR-JU-315	32	0.75	1.57	2.820 / 1.400	60 / 45	50
AIR-JU-355	55	1.5	3.01	2.900 / 1.435	68 / 52	61
AIR-JU-400	78	2.2	4.48	2.845 / 1.420	72 / 55	80

Type	Thrust (N)	Motor Power (kW)	Current (A)	Motor Speed (rpm)	Noise @ 3m (dBA)	Weight (kg)
AIR-JU-290	30 / 8	0.8 / 0.2	1..91 / 0.6	2.820 / 1.400	60 / 45	45
AIR-JU-315	30 / 8	0.8 / 0.2	1..91 / 0.6	2.820 / 1.400	60 / 45	50
AIR-JU-355	55 / 14	1.5 / 0.37	3.54 / 1.25	2.900 / 1.435	68 / 52	61
AIR-JU-400	78 / 19	2.2 / 0.8	4.63 / 1.54	2.845 / 1.420	72 / 55	80

# Radial Type Jet Fan

Fans in the Aironn Radial Type Jet Fan Series have 300 ° C-2 hours and 400 ° C-2 hours certificates in compliance with EN 12101-3. Due to series radial fans which have different driving powers such as 50 - 75 - 100 Newton, they operate highly productive. Performance of the fans in Radial Type Jet Fan Series have been tested in accordance with AMCA 250-12 standard.

## Fan Body

Fan bodies are made of high quality galvanized steel. Protection Grill on the bodies of jet fans which is directive in the direction of air throw and protective in air suction direction is standard.

## Fan Blades

Aerodynamic fan blades are made of ETIAL 171 with injection moulding method. They are statically and dynamically balanced in compliance with ISO 1940/1-2003.

## Motor

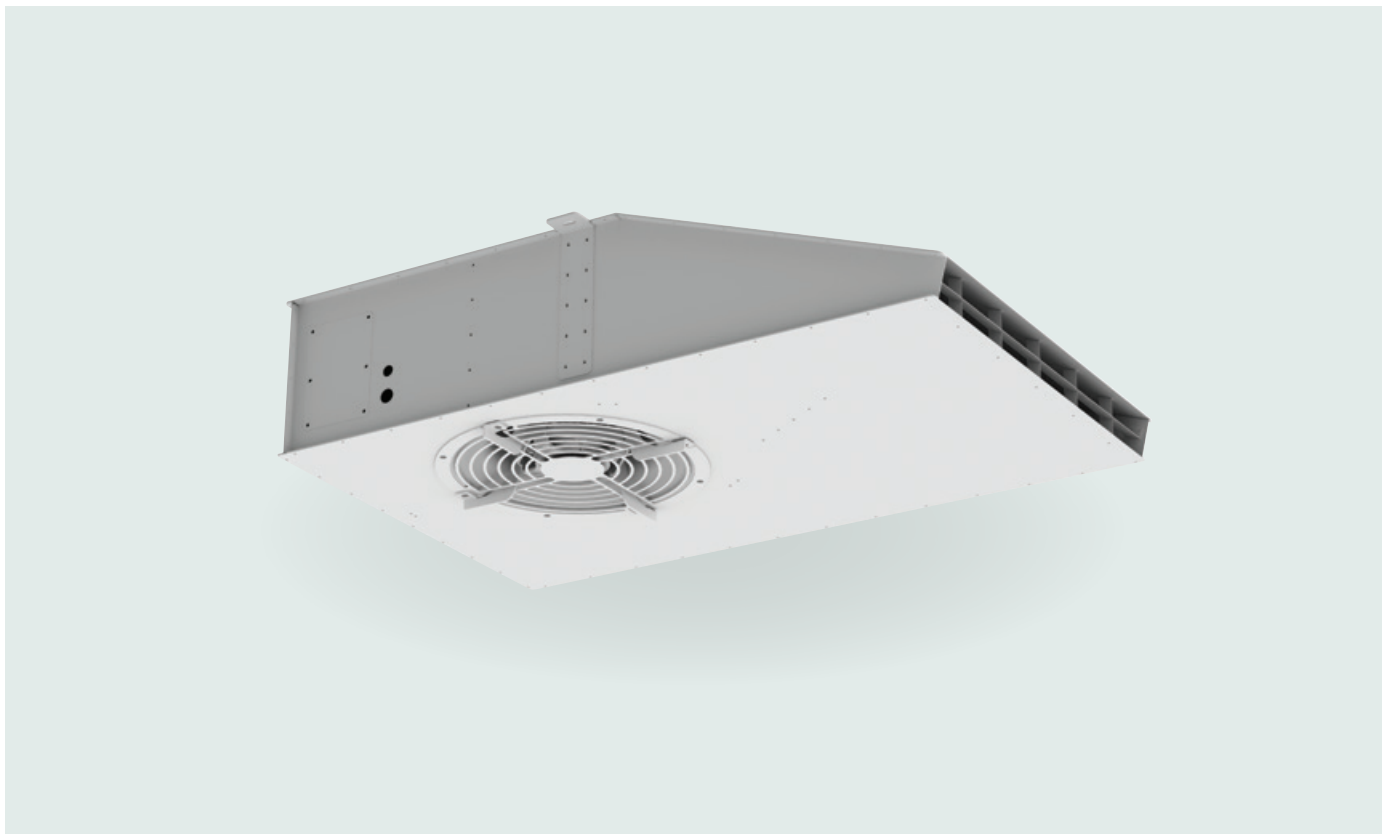
IP 55 motors with class H insulation are available in single cycle or double cycle options. If requested, single cycle motors can be used with inverters. Due to its sliding motor skid, it provides ease of maintenance.

## Electricity

IP 55 electricity terminal box placed inside the galvanized steel body is standard.

## Accessories

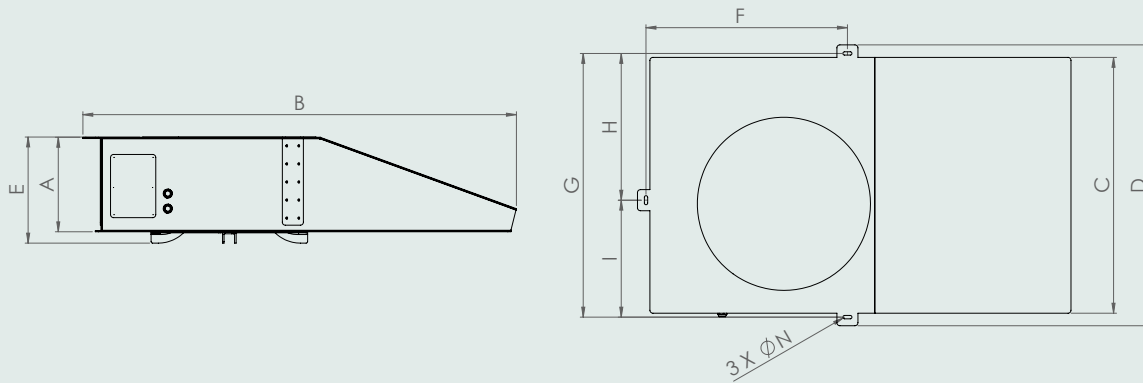
Maintenance Switch





## Radial Type Jet Fan

### Dimensions



	A	B	C	D	E	F	G	H	I	ØN
AIR-IJF-50	284	1398	800	903	322	683	853	476	377	13
AIR-IJF-75	314	1440	850	933	352	680	876	488	389	11
AIR-IJF-100	350	1600	880	1000	388	668	950	516	434	11

Type	Thrust (N)	Motor Power (kW)	Current (A)	Motor Speed (rpm)	Noise @ 3m (dBA)	Weight (kg)
AIR-IJF-50	50 / 12	6070 / 3035	0.8 / 0.2	1410 / 700	75 / 59	90
AIR-IJF-75	75 / 19	8100 / 4050	1.6 / 0.4	1500 / 750	76 / 61	102
AIR-IJF-100	95 / 24	8950 / 4475	2.2 / 0.55	1500 / 750	79 / 64	134







“FAN ENGINEERING”

AIRONN HAVALANDIRMA VE KLİMA SİSTEMLERİ SAN. DIŐ TİC. LTD. ŐTİ.

Tatlısu Mah. Őenol GneŐ Bulvarı Mira Tower K: 3 D: 16 Őerifali, AtaŐehir - İstanbul / Turkey

Phone: +90 216 594 56 96 Fax: +90 216 594 57 17 E-mail: info@aironn.com.tr

[www.aironn.com.tr](http://www.aironn.com.tr)